



Thousand Hundred Industrial CO.,LTD.

Description	Outdoor-Split Core Current Transformer	Drawn Date	2012/08/24
T.H. Part No.	CT34 SERIES	T.H. Sample No.	

CT34 Open-Core Current Transformer

General description

CT34 open-core current transformer is suitable for current measurement and microcomputer protection of distribution equipments in 10kV AC power system. It is widely used in not only compact fully insulated ring net switch cabinets such as ABB-SafeRing/SafePlus, RM6/SM6, SVS, GA/GE in Germany , FB in France and SS in Korea, but also combined substation and cable take-off boxes because of its small volume, light weight, open feasibility and convenient installment. It is very convenient that the transformer can be directly installed at connected output and input cables.

High quality silicon steel sheet metal slug with very high magnetic permeability as transmit magnetism material are used in the measuring winging of CT34 current transformer, so its core can be divided and the magnetic circuit loss is little. The semicircular ring core and secondary windings are vacuum poured by high quality epoxide resin in the fire retardant plastic casing, which has the characteristic of moisture proof, stable performance and dispensing with maintenance.

The two half cirque of the current transformer encircle the split phase cable tightly and uniformly. It has two configuration formats of single ratio and double ratios and two Installation modes of plastic waistband and stainless steel waistband, and it is applicable to all the 35 mm²-400mm² and 10kV cables.

The current transformers can be divided several kinds according to the various current ratio, accuracy and rated loads. The specific parameters are showed in the corresponding parameter tables of every type.

Model	Primary Current	Rated Burden	Dimensions(mm)	Weight (kg)
CT34-A	100~600A	≤7.5VA	φ80×φ40×50	0.63
CT34-B	50~300A	≤25VA	φ80×φ40×95	1.57
CT34-C	300~600A	≤7.5VA	φ110×φ50×32	0.6
CT34-D	100~400A	≤15VA	φ110×φ50×52	1.4
CT34-E	50~300A	≤25VA	φ110×φ50×100	2.9
CT34-F	50~600A	≤10VA	φ135×φ75×70	3.2

All kinds of current transformers of different specifications and parameters can be made according to the client's demands.



Thousand Hundred Industrial CO.,LTD.

Description	Outdoor-Split Core Current Transformer	Drawn Date	2012/08/24
T.H. Part No.	CT34 SERIES	T.H. Sample No.	

Technical data

Rated frequency: 50Hz or 60Hz;

Rated secondary current: 5A or 1A;

Rated short-time thermal current: 40kA, 2s;

Rated continuous thermal current: 120%I_n;

Continuous power-frequency voltage 3kV , 1min;

standards: IEC 185:1987, GB1208-2006(China), DL/T 725-2000 (China);

P2 primary pole, S1 and S2 secondary poles. P2 and S2 are homonymy poles (subtractive polarity).

Use condition

Ambient temperature: -35⁰C~+55⁰C,

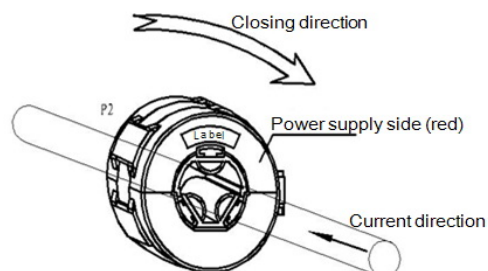
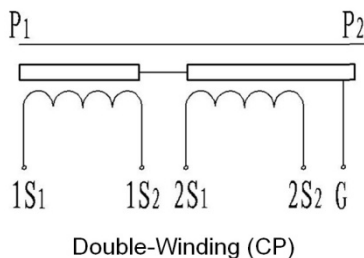
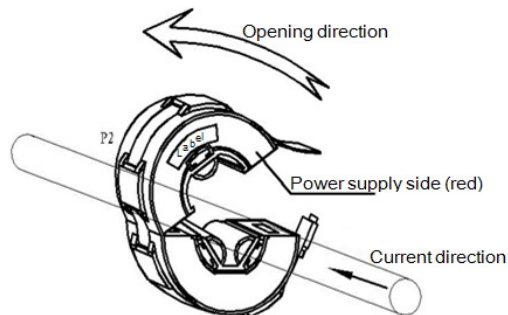
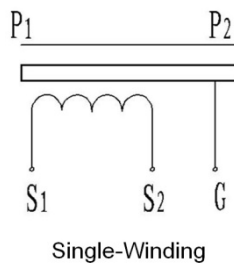
average temperature of day: ≤40⁰C.

Altitude: ≤3000m

Air condition: No serious dirtiness in the air.

Wiring diagrams

Installation drawings





Thousand Hundred Industrial CO.,LTD.

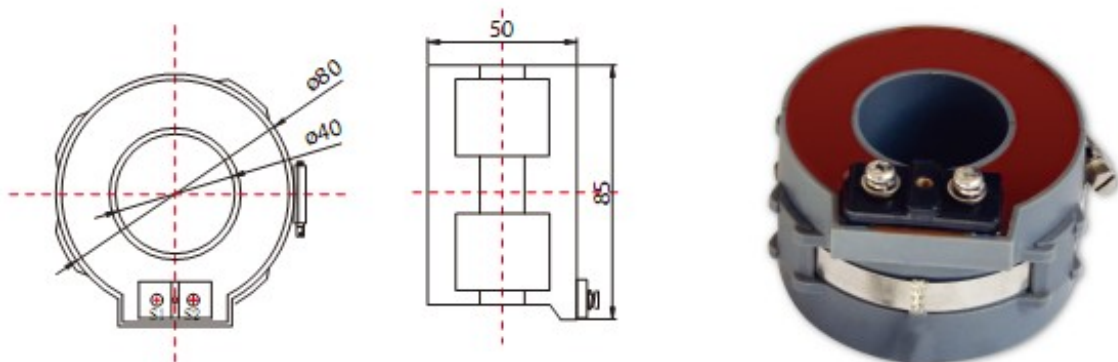
Description	Outdoor-Split Core Current Transformer	Drawn Date	2012/08/24
T.H. Part No.	CT34 SERIES	T.H. Sample No.	

CT34-A Open-core Current Transformer

Rated ratio, Accuracy class and Rated burden following table:

Type	CT34-A1			CT34-A2		
Purpose	Measuring current transformer			Protection current transformer		
Ratio I_1 / I_2	Acc. class and rated burden (VA)			Acc. class and rated burden (VA)		
	0.5	1.0	3.0	10P15	10P10	10P5
100/1	0.5	1	1.5			1.5
150/1	1	1.5	2.5		1	2.5
200/1	1.5	2.5	3.75	1	1.5	3.75
300/1	2.5	2.5	3.75	1.5	2.5	5
300/5	2.5	5	7.5	1.5	2.5	5
400/5	5	5	7.5	2.5	3.75	7.5
500/5	5	5	7.5	2.5	3.75	7.5
600/5	5	5	7.5	3.75	5	7.5

Outline drawing





Thousand Hundred Industrial CO.,LTD.

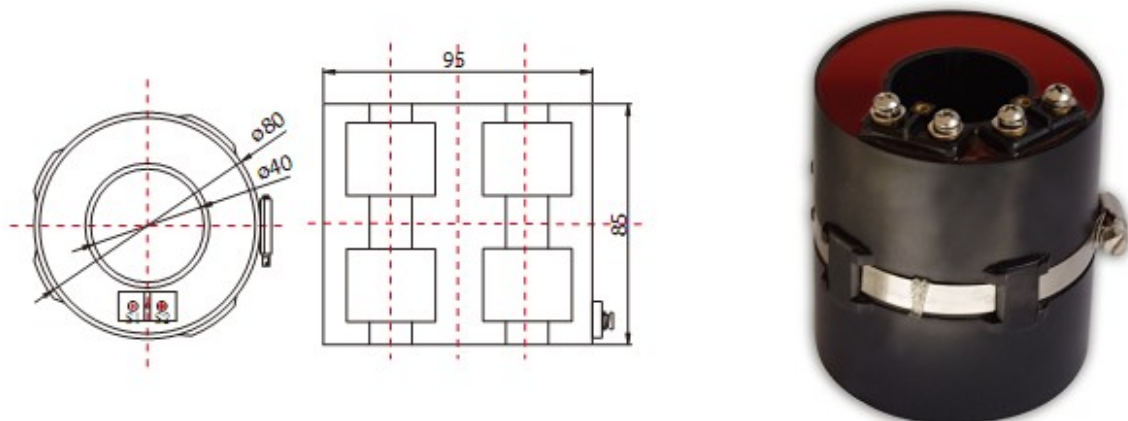
Description	Outdoor-Split Core Current Transformer	Drawn Date	2012/08/24
T.H. Part No.	CT34 SERIES	T.H. Sample No.	

CT34-B Open-core Current Transformer

Rated ratio, Accuracy class and Rated burden following table:

Type	CT34-B1			CT34-B2			CT34-B3			
Purpose	Measuring current transformer			Protection current transformer			Double winding current transformer			
Ratio I_1 / I_2	Acc. class and rated burden (VA)			Acc. class and rated burden (VA)			Composite acc. class and rated burden (VA)			
	0.2	0.5	1.0	10P15	10P10	10P5	0.5	1.0	10P10	10P5
50/1			2.5		2.5	3.75		1.5		1.5
75/1		2.5	3.75	1.5	3.75	5		1.5		2.5
100/1		2.5	5	2.5	5	7.5	1.5	2.5	1.5	3.75
150/1		5	7.5	3.75	7.5	10	2.5	3.75	2.5	5
200/1	5	10	15	5	7.5	15	5	5	3.75	7.5
50/5			2.5			3.75		1.5		1.5
75/5			3.75	1.5	3.75	5		2.5		2.5
100/5		3.75	5	2.5	5	7.5	1.5	2.5		3.75
150/5		5	7.5	3.75	7.5	10	2.5	3.75	2.5	5
200/5	5	10	15	5	7.5	15	5	7.5	3.75	7.5
300/5	7.5	15	20	7.5	10	25	7.5	10	5	10

Outline drawing





Thousand Hundred Industrial CO.,LTD.

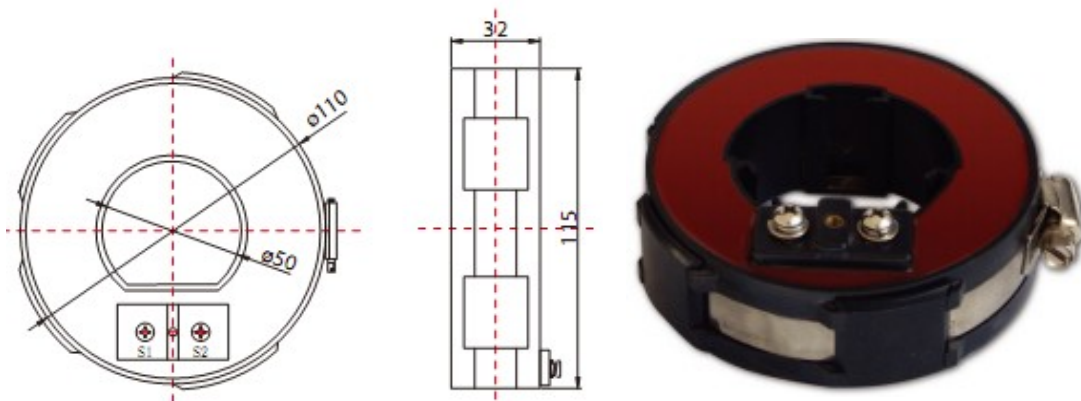
Description	Outdoor-Split Core Current Transformer	Drawn Date	2012/08/24
T.H. Part No.	CT34 SERIES	T.H. Sample No.	

CT34-C Open-core Current Transformer

Rated ratio, Accuracy class and Rated burden following table:

Type	CT34-C1			CT34-C2		
Purpose	Measuring current transformer			Protection current transformer		
Ratio I_1 / I_2	Acc. class and rated burden(VA)			Acc. class and rated burden (VA)		
	0.5	1.0	3.0	10P15	10P10	10P5
300/1	1.5	3.75	3.75			1.5
400/1	2.5	3.75	3.75		1.5	2.5
500/1	2.5	3.75	5	1.0	2.5	3.75
600/1	3.75	5	5	1.5	2.5	5
300/5	2.5	3.75	3.75		1.25	2.5
400/5	3.75	5	5		2.5	5
500/5	3.75	5	7.5	2.5	3.75	7.5
600/5	5	7.5	7.5	2.5	3.75	7.5

Outline drawing





Thousand Hundred Industrial CO.,LTD.

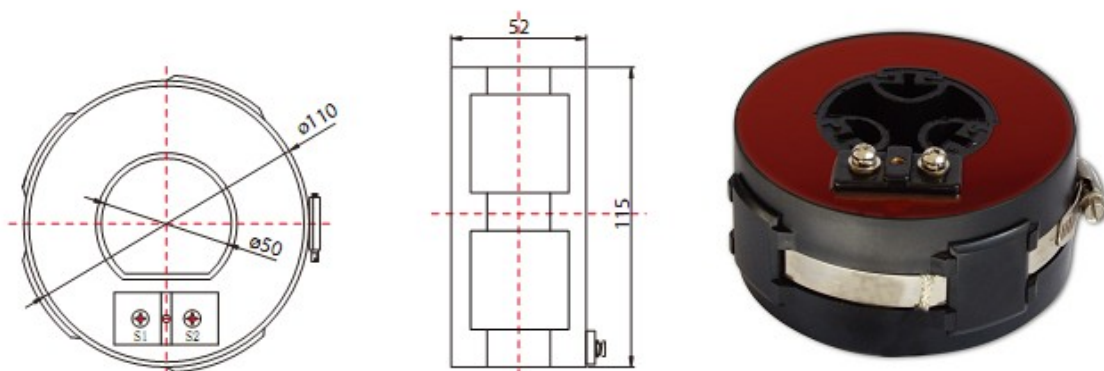
Description	Outdoor-Split Core Current Transformer	Drawn Date	2012/08/24
T.H. Part No.	CT34 SERIES	T.H. Sample No.	

CT34-D Open-core Current Transformer

Rated ratio, Accuracy class and Rated burden following table:

Type	CT34-D1			CT34-D2		
Purpose	Measuring current transformer			Protection current transformer		
Ratio I_1 / I_2	Acc. class and rated burden (VA)			Acc. class and rated burden (VA)		
	0.2	0.5	1.0	10P15	10P10	10P5
100/1		2.5	2.5		1.5	3.75
150/1		2.5	3.75	1.5	2.5	5
200/1	2.5	5	5	2.5	3.75	7.5
300/1	3.75	7.5	10	3.75	5	10
400/1	5	10	12.5	5	7.5	15
50/5			1.5			1.5
75/5			2.5		1.25	2.5
100/5			2.5		1.5	3.75
150/5		2.5	3.75	1.5	2.5	5
200/5	2.5	5	7.5	2.5	3.75	7.5
300/5	3.75	7.5	10	3.75	5	10
400/5	5	10	15	5	7.5	15

Outline drawing





Thousand Hundred Industrial CO.,LTD.

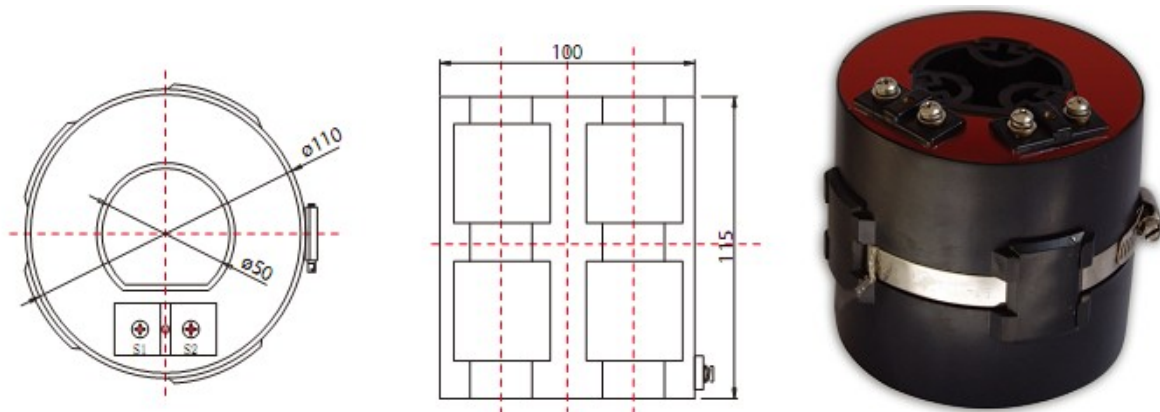
Description	Outdoor-Split Core Current Transformer	Drawn Date	2012/08/24
T.H. Part No.	CT34 SERIES	T.H. Sample No.	

CT34-E Open-core Current Transformer

Rated ratio, Accuracy class and Rated burden following table:

Type	CT34-E1			CT34-E2			CT34-E3			
Purpose	Measuring current transformer			Protection current transformer			Double winding current transformer			
Ratio I_1 / I_2	Acc. class and rated burden (VA)			Acc. class and rated burden (VA)			Composite acc. class and rated burden (VA)			
	0.2	0.5	1.0	10P15	10P10	10P5	0.5	1.0	10P10	10P5
50//1			2.5		2.5	3.75		1.5		1.5
75/1		2.5	3.75	1.5	3.75	5		1.5		2.5
100/1		2.5	5	2.5	5	7.5	1.5	2.5	1.5	3.75
150/1		5	7.5	3.75	7.5	10	2.5	3.75	2.5	5
200/1	5	10	15	5	7.5	15	5	5	3.75	7.5
50/5			2.5			3.75		1.5		1.5
75/5			3.75	1.5	3.75	5		2.5	1.25	2.5
100/5		3.75	5	2.5	5	7.5	1.5	2.5	2.5	3.75
50/5		5	7.5	3.75	7.5	10	2.5	3.75	2.5	5
200/5	5	10	15	5	7.5	15	5	7.5	3.75	7.5
300/5	7.5	15	20	7.5	10	25	7.5	10	5	10

Outline drawing





Thousand Hundred Industrial CO.,LTD.

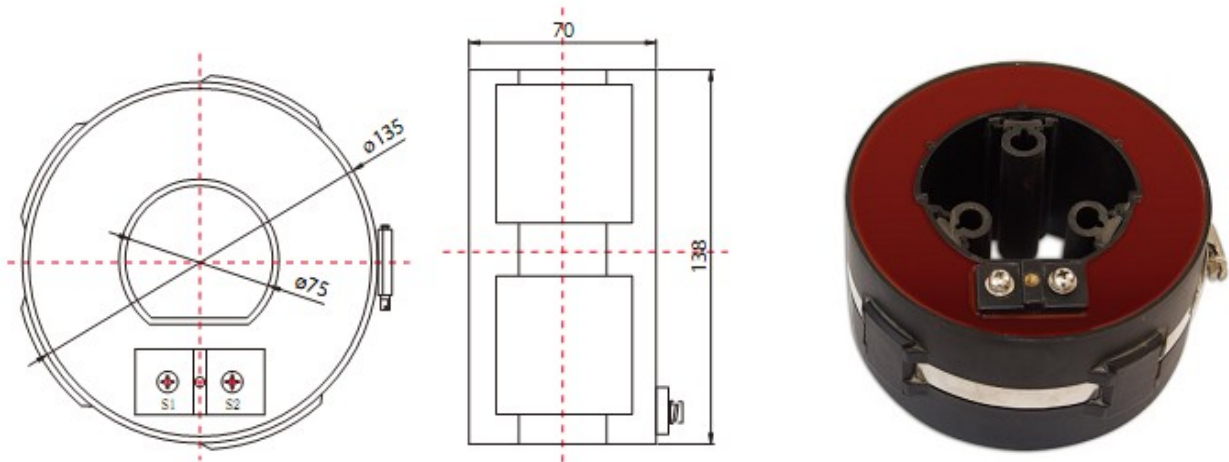
Description	Outdoor-Split Core Current Transformer	Drawn Date	2012/08/24
T.H. Part No.	CT34 SERIES	T.H. Sample No.	

CT34-F Open-core Current Transformer

Rated ratio, Accuracy class and Rated burden following table:

Type	CT34-F2			CT34-F3			CT34-F3			
Purpose	Measuring current transformer			Protection current transformer			Double winding current transformer			
Ratio I_1 / I_2	Acc. class and rated burden (VA)			Acc. class and rated burden (VA)			Composite acc. class and rated burden (VA)			
	0.2	0.5	1.0	10P15	10P10	10P5	0.5	1.0	10P10	10P5
50/5			1.5		1.25	2.5				1.0
100/5		2.5		1.25	2.0		2.5			2.0
200/5		5		3.75	5		2.5	5	2.0	3.75
300/5		7.5		5	7.5		3.75	5	2.5	5
400/5	2.5	10		10	7.5		5	7.5	2.5	5
500/5	5	10		15	10		7.5	10	3.75	7.5
600/5	5	10		15	10		7.5	10	3.75	7.5

Outline drawing

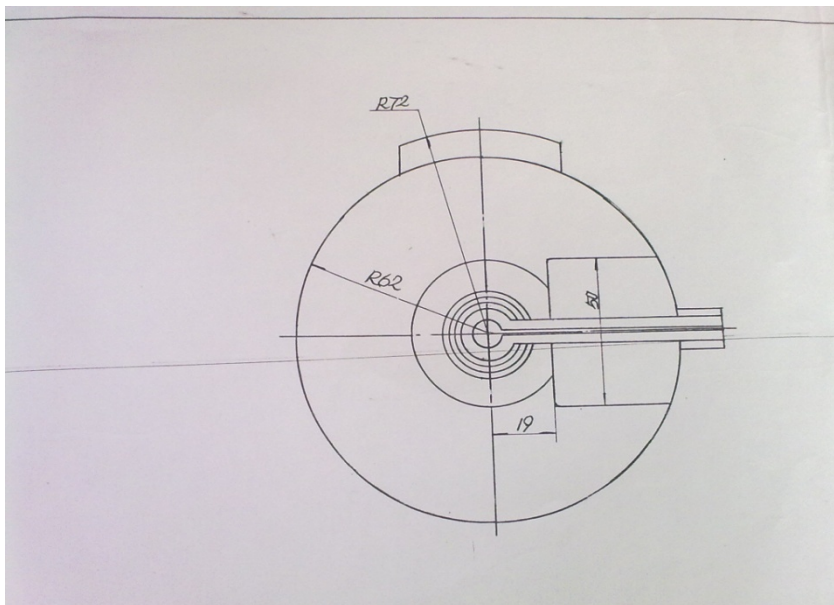
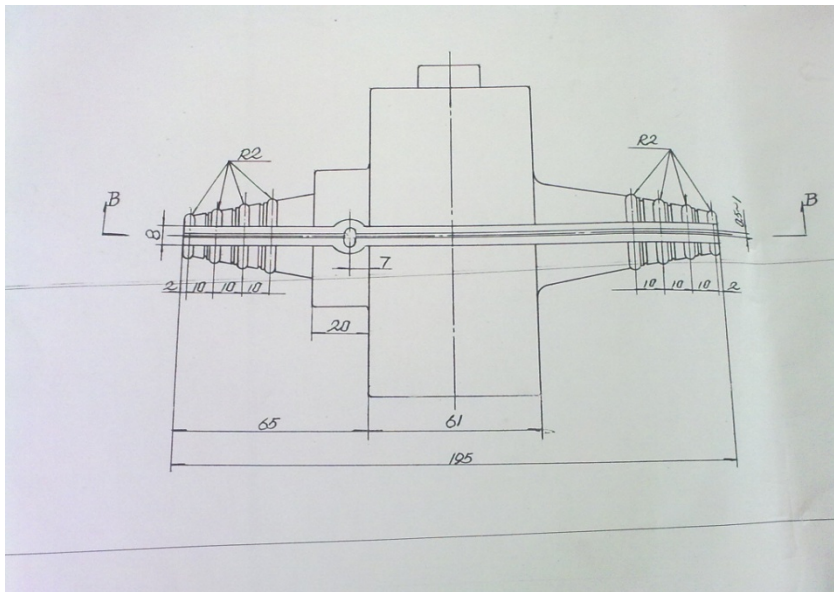




Thousand Hundred Industrial CO.,LTD.

Description	Outdoor-Split Core Current Transformer	Drawn Date	2012/08/24
T.H. Part No.	CT34 SERIES	T.H. Sample No.	

UV Resistant Mask





Thousand Hundred Industrial CO.,LTD.

Description	Outdoor-Split Core Current Transformer	Drawn Date	2012/08/24
T.H. Part No.	CT34 SERIES	T.H. Sample No.	

